



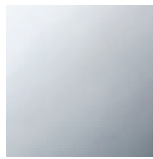
Bathtub - VAIA

Deck-mounted tub mixer, with hand shower set for deck-mounted tub installation - polished

Article number: 27 632 809-00



- 8-5/8" Projection
- Hand shower set: Standard spray
- Spout: Round aerated stream
- Hand shower set with anti-scale technology
- Integrated diverter
- Total height 13-5/8"
- Height to aerator/spout outlet 9-5/8"
- Spout hole diameter 1-1/4"
- Hole diameter single-lever mixer 1-3/8"
- Hole diameter for hand shower set 1-1/4"
- 2-1/8" diameter flange for spout
- Mixer with flange Ø 2-1/8"
- Hand shower set with flange Ø 2-3/8"
- Metal shower hose 68-7/8" with anti-twist device
- Water flow rate limited to max. 6.5 gpm
- Handshower flow rate max. 1.8 gpm
- Fittings group in compliance with DIN 4109: 1
- Internal backflow preventer.
- NOTE: Local building codes may require the use of an anti-scald device. Please refer to remote pressure balance valve (35 910 970 90)
- (ADA)



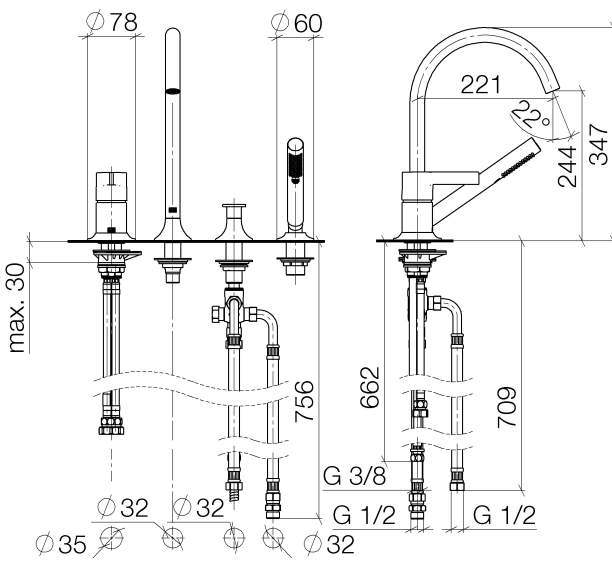
polished chrome

Bathtub - VAIA

Deck-mounted tub mixer, with hand shower set for deck-mounted tub installation - polished

Article number: 27 632 809-00

Dimensional drawing



All dimensions in mm / inch = mm x 0,0394



Bathtub - VAIA

Deck-mounted tub mixer, with hand shower set for deck-mounted tub installation - polished

Article number: 27 632 809-00

Other surface finishes



platinum matte

27 632 809-06



Dark Brass matte

27 632 809-16



Dark Bronze matte

27 632 809-17



Dark Platinum matte

27 632 809-99

More custom finish options are available via special production (xTra Service). Please see our finish matrix for availability and pricing or contact a Dornbracht representative.